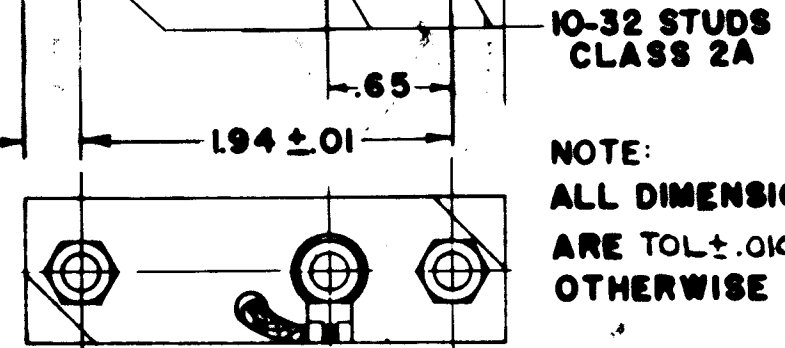
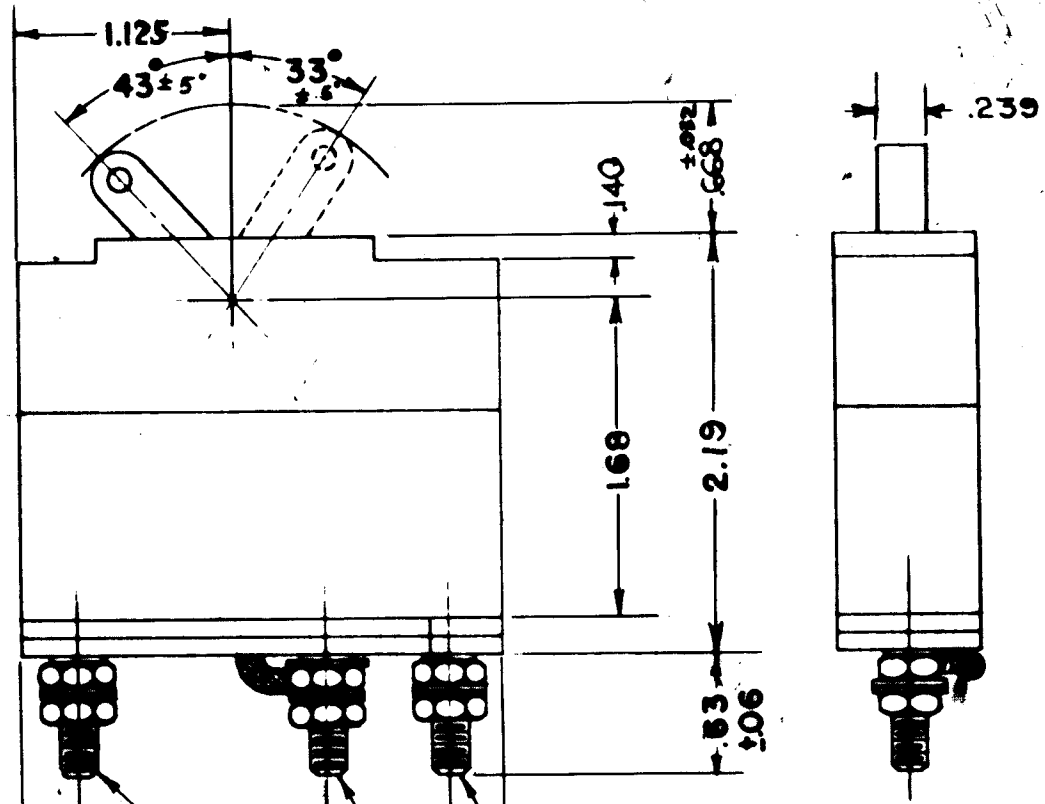
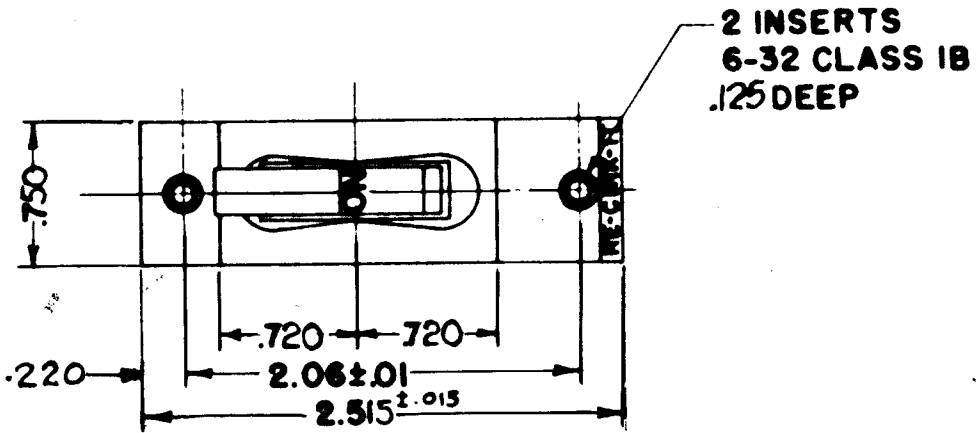


STANDARD DRAWING

SW418-1

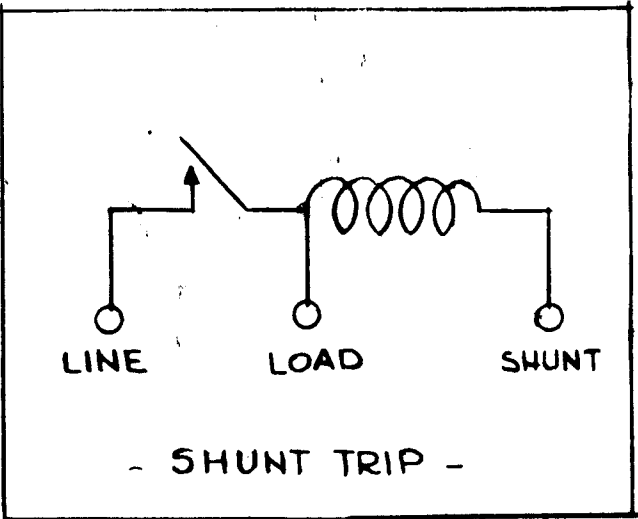
REVISIONS

SYM	DESCRIPTION	DATE	E.M.N. NO.	DRAFT	CHKD	APPD
X1	ON SPEC. VOLTAGE FREQ. ADDED	4-20-64	X1	G.D.L.		
Ø	ORIGINAL RELEASE FOR PRODUCTION	5.18.64	Ø	WHO		



NOTE:
ALL DIMENSIONS SHOWN
ARE TOL ± .010 UNLESS
OTHERWISE SPECIFIED.

TMC PART NO.	MFG. PART NO.	TRIP VOLTAGE	VOLTAGE RATING VOLTS	CURRENT RATING AMPS	TRIP TYPE	DELAY
SW 418-1	PAM 12-55K-MG6-20VAC	20 VAC	—	50 MAX	SHUNT TRIP	INSTANTANEOUS



- SPECIFICATIONS -

NO. OF POLES : 1
VOLTAGE FREQ : 50/60 CPS
CASE : PLASTIC, FUNGUS &
MOISTURE TREATED

LIST OF MATERIAL

REQ'D.	ITEM	PART NUMBER	DESCRIPTION	SYMBOL
THE TECHNICAL MATERIEL CORP. MAMARONECK, NEW YORK				
TITLE CIRCUIT BREAKER, 1 POLE				
MATERIAL		DRAWN G.D.L. DATE 12-8-64		
FINISH		CHECKED HQ DATE 12-14-65		
UNLESS OTHERWISE SPECIFIED DIMENSIONS ARE IN INCHES AND INCLUDE CHEMICALLY APPLIED OR PLATED FINISHES		ELECT. DES. DATE 12/19/65		
DECIMALS .X ± .00 FRACTIONS ± 1/64		MECH. DES. DATE 5/18/66		
.XX ± .01 TOLERANCES ANGLES ± 0° 30'		FINAL APPROVAL M. Hay DATE 5/18/66		
.XXX ± .005 TOLERANCES ANGLES ± 0° 30'		SHEET SW418 - Ø		

2	TST() 2.5K	TCP-1
Q'TY./UNIT	MODEL USED ON	ASS'Y. NO.
SCALE DO NOT SCALE	CODE C	S401-58
THE CONTENTS OF THIS DRAWING ARE THE EXCLUSIVE PROPERTY OF THE TECHNICAL MATERIEL CORP. ITS UNAUTHORIZED USE OR REPRODUCTION IN WHOLE OR IN PART IS STRICTLY FORBIDDEN.		

NOTES